

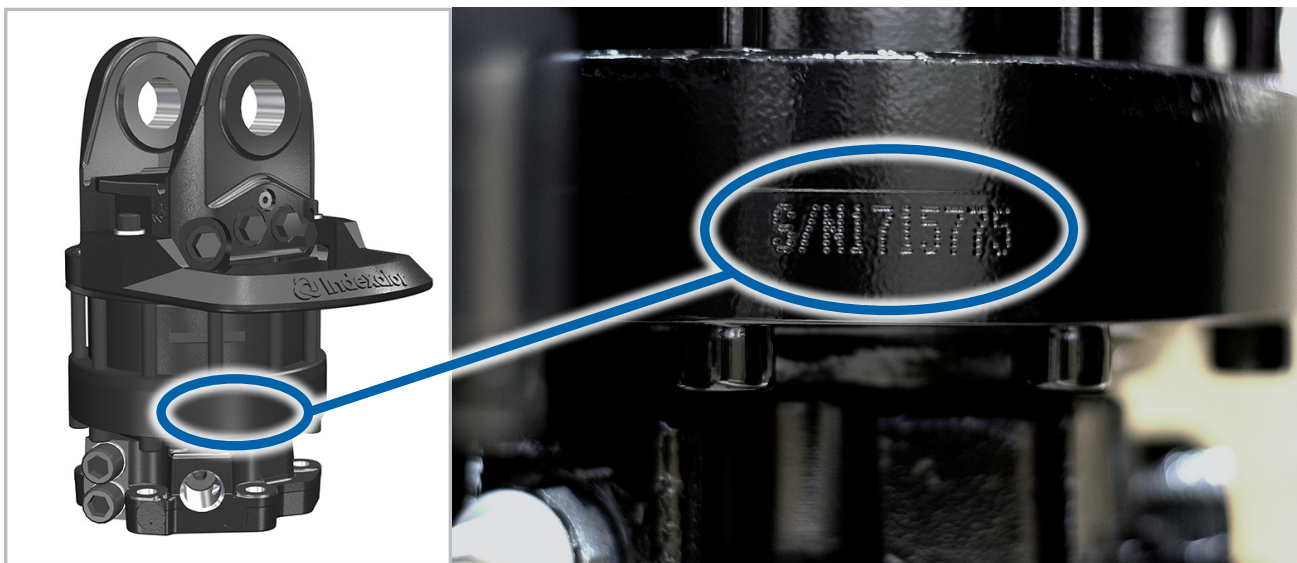
Marking of serial number

Updated with new models GX, HX and XR 350.

The serial number is the safest way of identifying the exact rotator model. This is especially important when ordering new rotator, spare parts and for customer service identification.

For identification send an e-mail to: rotator@indexator.com

Example: GV 14



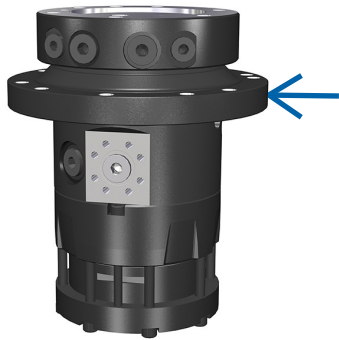
In this example the serial number is positioned on the processed section of the lower stator, below any hose guard and hydraulic connections.

Positioning of serial number

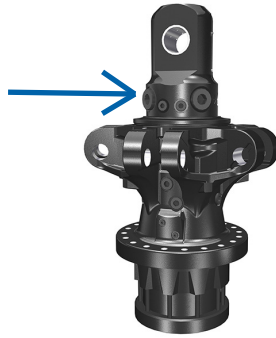


Positioning of serial number

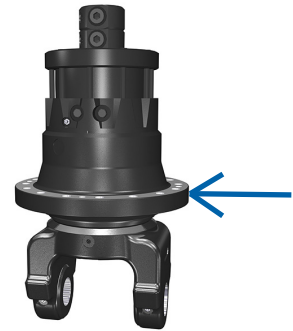
IR 10/20
IR 12/22



IR 25



SR 18/21



XR 300/ XR 350



XR 400



XR 500 / XR 600

